

Remote reading thermometer with external mounting bracket on pipes and tanks

Model : T213

Spec. sheet no. TD02-03

Service intended

Liquid filled thermometer is used for measuring temperature of various pipes and tanks external in all industries, operated in aggressive and non-aggressive environment. Linear dials and temperature compensate line assure an accurate temperature indication at varying ambient conditions.

Nominal diameter

100 and 150 mm

Accuracy

±2.0 % of full scale (Standard)

Measuring system (SAMA class IIIB)

Organic gas : 0 ~ 200 °C

Inert gas : -200 ~ 700 °C

Working range

Maximum scale value



Standard features

Location of stem and mounting

Bottom connection, surface, case mounting

Case

304SS

Cover

304SS

Capillary

Capillary : 1.6/0.2 mm, 316SS

Armored tube : 6.5/4.5 mm, 304SS

Window

Tempered safety glass

Dial

White aluminium with black graduation

Pointer

Black painted aluminium alloy

Mounting bracket

120 x 22 x 12 (mm)

316SS

Filled fluid in case

Glycerin or silicone (Option)

Zero adjustment

Internal

Stem connection

Surface mounting for 2" pipe

Option

±1.0 % of full scale

1. Base model

T213 Remote reading thermometer with external mounting on pipes and tanks

2. Nominal diameter (mm)

4 100
6 150

3. Type of mounting

B Surface mounting plate

4. Stem material

1 316SS

5. Stem, process connection

A 120 x 22 x 12 (mm)

6. Stem connection type

A Surface mounting, only available with 2" pipe (Standard)
B Surface mounting, only available with 2.5 ~ 30" pipe

7. Stem outer diameter

9 Ø21.3 mm x 2.8t

8. Range

XXX Refer to scale range table

9. Capillary length (m)

P 2
Q 3
S 5
V 8
X 10
Z Other

10. Accessories

0 None
1 Other

1	2	3	4	5	6	7	8	9	10
T213	4	B	1	A	A	9	XXX	P	0

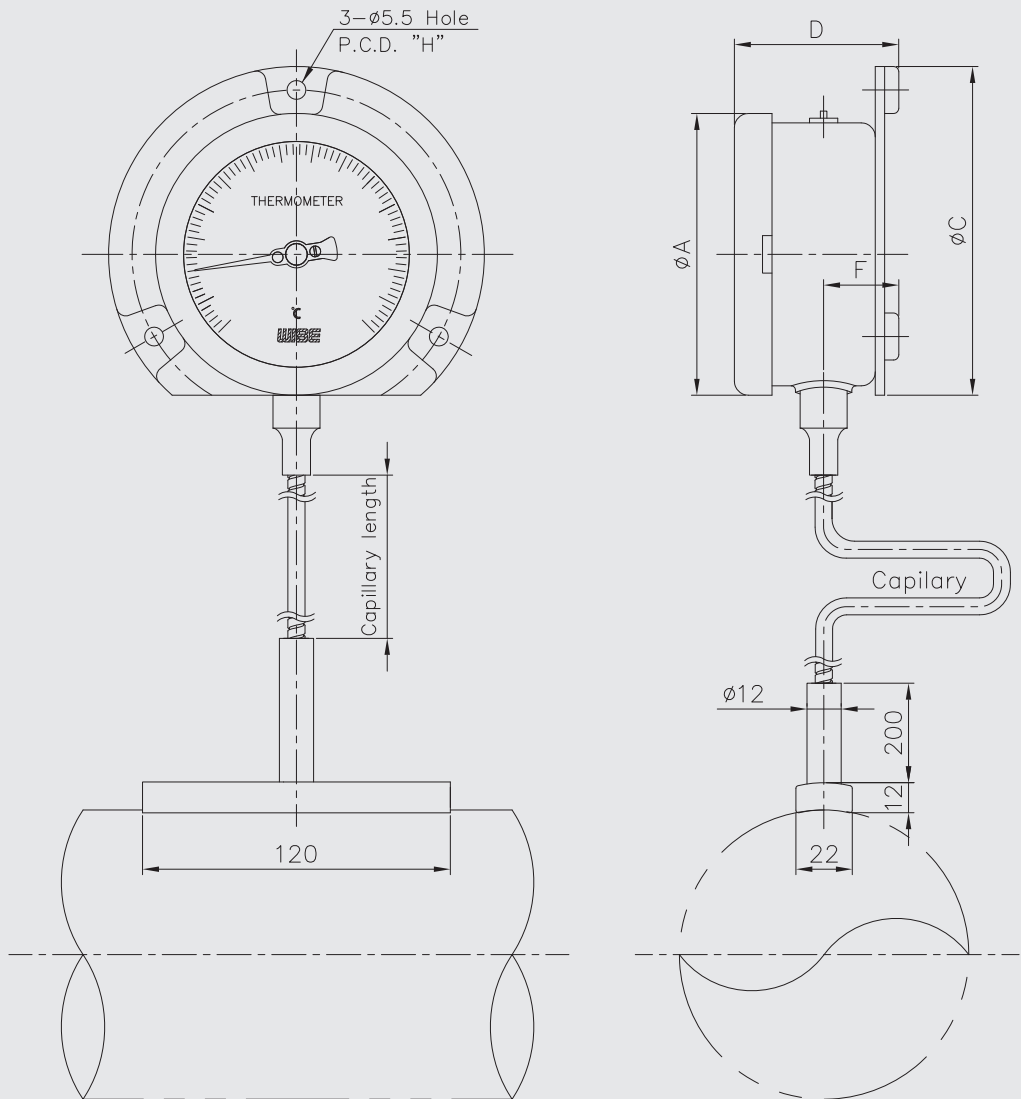
Sample
ordering code



© WISE Control Inc. All rights reserved. ALL PRODUCT, PRODUCT SPECIFICATIONS AND DATA ARE SUBJECT TO CHANGE WITHOUT NOTICE TO IMPROVE RELIABILITY, FUNCTION OR DESIGN OR OTHERWISE.

T213 : Type of mounting

Code B



Dimensions (mm)

Dial Size	Available code	A	C	D±2	F±1	H
100	B	111	128	53.5	18	115
150	B	168.5	178	66.5	25.5	165

Scale ranges

Code	Scale range (°C)	Scale spacing(°C)	Standard stem size (mm)
031	-200 ~ 100	5	120 x 22 x 12
032	-50 ~ 50	2	
037	-50 ~ 100	5	
054	-30 ~ 50	2	
059	-30 ~ 100	2	
061	-30 ~ 120	5	
069	-20 ~ 50	2	
074	-20 ~ 100	2	
079	-20 ~ 150	5	
084	-10 ~ 50	1	
099	0 ~ 50	1	
100	0 ~ 60	1	
101	0 ~ 70	2	
102	0 ~ 80	2	
104	0 ~ 100	2	
106	0 ~ 120	2	
109	0 ~ 150	5	
114	0 ~ 200	5	
119	0 ~ 250	5	
124	0 ~ 300	5	
129	0 ~ 350	5	
134	0 ~ 400	10	
144	0 ~ 500	10	
154	0 ~ 600	10	
164	0 ~ 700	10	

* 0 ~ 700 °C/Special range

* -200 ~ 100 °C/Special range