

Model TSRT

Temperature Transmitter

Description

TSRT sensing element has excellent properties by using RTD and remote transmission is implemented with the 2wire 4~20mA output. It is Protection (IP65) to be used under poor environments.

Features

- ▶ Two wire 4~20mA output
- ▶ Measuring range -50~400°C
- ▶ 0.5%FS accuracy
- ▶ Stainless steel(316L) media-wetted materials

Applications

- ▶ Chemical & Petrochemical
- ▶ Process Control & Monitoring
- ▶ Food & Pharmaceutical
- ▶ Plant utility monitoring



Specifications

Range

-50~0, -50~50, 0~50, 100, 200, 300, 400°C

Sensing Element

Sheathed RTD(PT100Ω)

Performance

| | |
|---------------------------|-------------|
| Accuracy | ±0.5%FS |
| Ambient Temperature Range | -20 ~ 80°C |
| Storage Temperature Range | -40 ~ 100°C |

Electrical

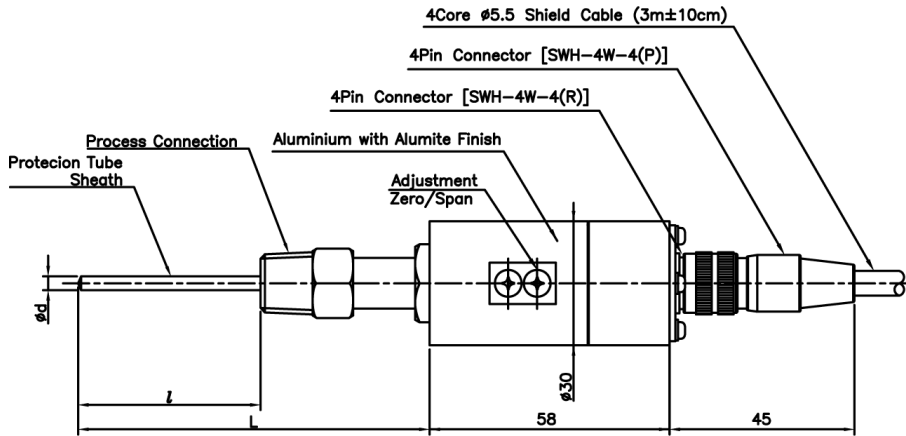
| | |
|-----------------------|------------------------------------------|
| Excitation | 11 ~ 28VDC |
| Output | 4~20mA(2Wire) |
| Electrical Connection | Connector, DIN Connector, Head-G(PF)1/2" |

Physical

| | |
|------------------------|-----------------------------------------------------------|
| Vibration | 49.1m/s ² {5G}, 10~500Hz |
| Shock | 490m/s ² {50G} |
| Process Connection | R(PT)1/2", Flange & Other Connection Available on Request |
| Media-Wetted Materials | Stainless Steel 316, Other Available on Request |
| Protection | IP65 (Only DIN Connector, Head) |
| Weight | Approx. 300g (Standard type only) |

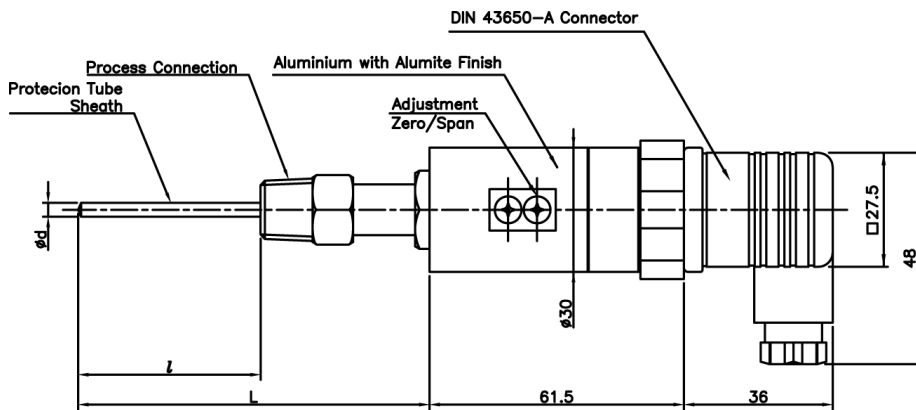
Dimension

► Connector Type



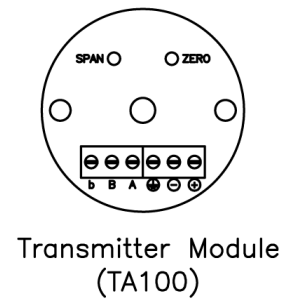
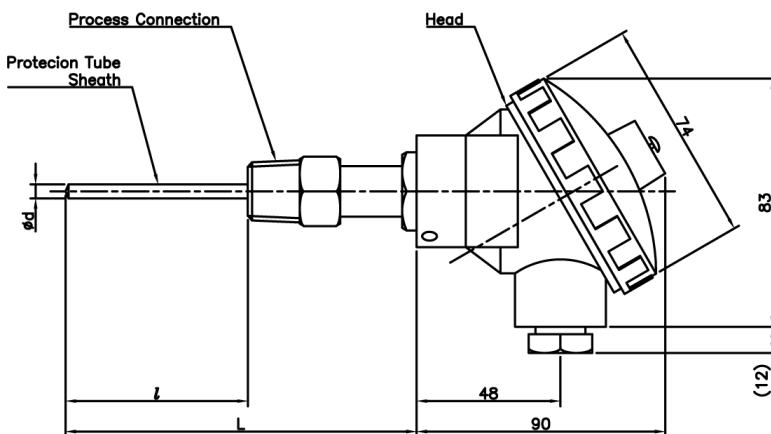
| Pin No. | Wire Color | Connections |
|---------|------------|-------------|
| 1 | Red | Input ⊕ |
| 2 | - | x |
| 3 | Black | Output ⊕ |
| 4 | - | x |
| | Shield | Earth |

► Din connector Type



| Pin No. | Connections |
|---------|-------------|
| 1 | Input ⊕ |
| 2 | Output ⊕ |
| 3 | x |
| ⊖ | Earth |

► Head Type



| Pin No. | Connections |
|---------|-------------|
| A | PT100Ω A |
| B | PT100Ω B |
| b | PT100Ω b |
| ⊖ | Earth |
| - | OUTPUT⊕ |
| + | INPUT⊕ |

Ordering Information

TSRT 000/010 C 48-100/50-G/A-H

Model Name

Low Temperature Range

XXX : Temperature

High Temperature Range

XXX : Temperature

Temperature Unit

C : Celsius(°C)

F : Fahrenheit(°F)

Sheath Out Diameter

32 : Φ3.2

64 : Φ6.4

48 : Φ4.8

80 : Φ8.0

Length

L(mm)

Electrical Connection

P : Connector

I : DIN Connector

H : Head

Material of Protection Tube

A : STS316

D : Titanium

B : STS316L

E : Monel

C : STS304

Process Connection

A : R(PT)3/8"

G : R(PT)1/8"

B : G(PF)3/8"

H : G(PF)1/8"

C : R(PT)1/4"

E : R(PT)1/2"

D : G(PF)1/4"

Q : G(PF)1/2"

Insert Length

ℓ(mm)